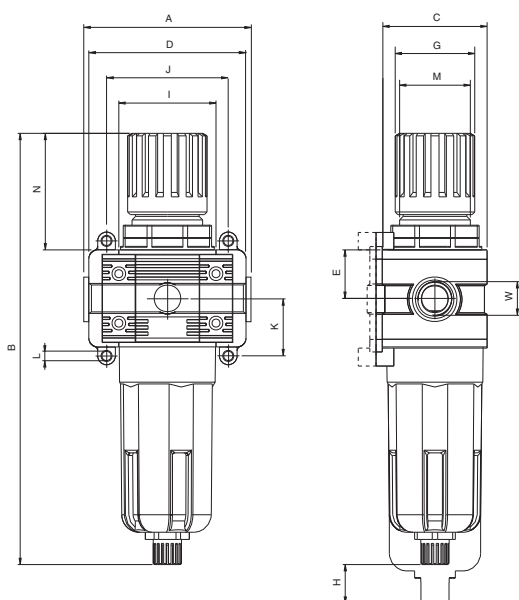


Filter Regulators



Technical information

Operating pressure in p1: Max. 15 bar at 20° C
 Operating pressure out p2: 0 bar ... 12 bar, others on request
 Operating medium: Compressed air
 Operating temperature: -10° C ... + 50° C
 Installation positioning: Vertical
 Materials: Body and Shell: Technopolymer
 Gaskets: NBR
 Filter: Sintered bronze
 End parts: Die-cast zinc

Pressure gauge (included in delivery):
 Accuracy class: 1,6
 Diameter: 40 mm
 Connecting thread: G 1/8"
 Indicator range: 0 ... 12 bar

Main features

Rolling membrane regulation valve with secondary air bleed, admission pressure compensation, without intrinsic consumption, with detent-stop adjusting knob, condensate collector with filter cartridge, filter element 20 µm – others on request, please refer to page 3.14 – semi-automatic discharge.

	FR-1	FR-2	FR-3
A	86	104	115
B	198	244,5	273
C	45	59	70
D	76	89	106
E	21	27.5	32,5
F	22,5	28.5	35
G	36	45	50,5
H	39	48	50
I	43	55	65
J	81,5	97	109
K	17.25	22	27
L	D X M4	D X M5	D X M6
M	M32 x 1,5	M40 x 1,5	M47 x 1,5
N	52	66	75.5
W	(1/8")-1/4"-3/8"	(1/4")-3/8"-1/2"	1/2"-3/4"-1"

*) Variante G1" plus 5 mm

Family	Port Size	Flow Rate qnN*	Bowl Capacity	Drain	Part Number
1	G 1/4 "	1650 l/min	22 cm ³	Semi-auto	FR-1-1/4
1	G 3/8"	1650 l/min	22 cm ³	Semi-auto	FR-1-3/8
2	G 3/8"	3000 l/min	46 cm ³	Semi-auto	FR-2-3/8
2	G 1/2"	3000 l/min	46 cm ³	Semi-auto	FR-2-1/2
2	G 1/2"	3000 l/min	46 cm ³	Auto	FR-2-1/2-A
3	G 3/4"	4500 l/min	89,5 cm ³	Semi-auto	FR-3-3/4
3	G 3/4"	4500 l/min	89,5 cm ³	Auto	FR-3-3/4-A
3	G 1"	4500 l/min	89,5 cm ³	Semi-auto	FR-3-1
3	G 1"	4500 l/min	89,5 cm ³	Auto	FR-3-1-A